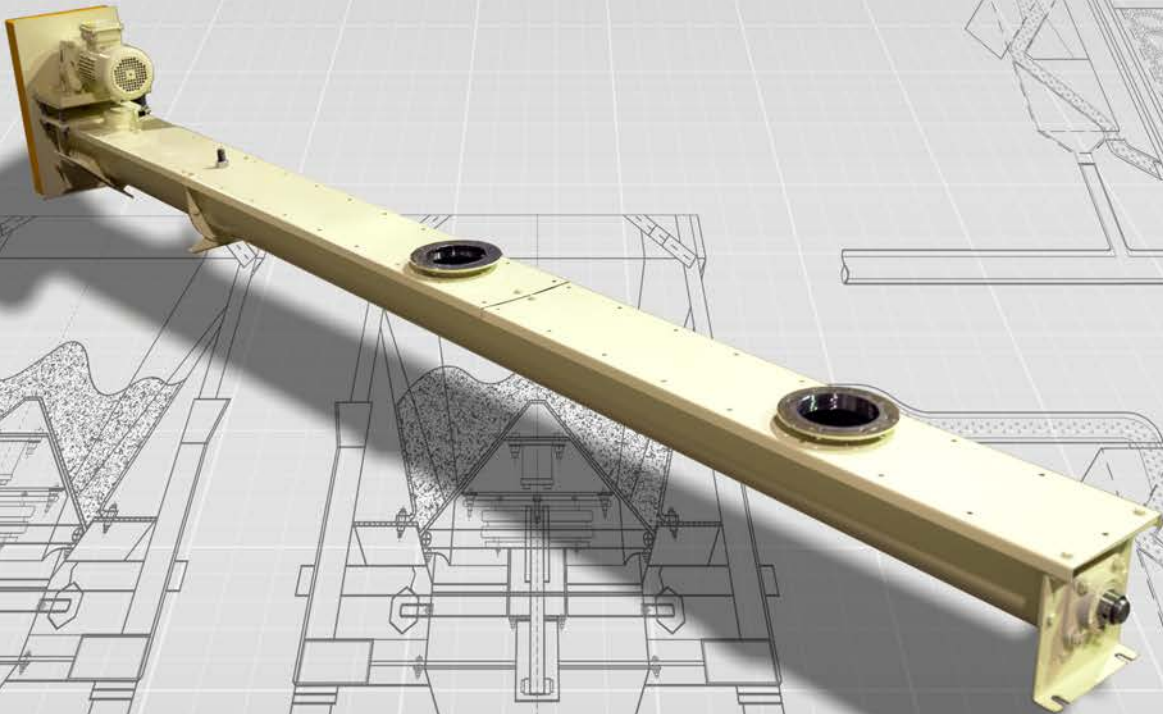




SCREW CONVEYORS



SOLITEC ENGINEERING LTD

Unit 8 Gilchrist Thomas Industrial Estate
Blaenavon
Gwent
NP4 9RL
United Kingdom

Tel: +44 (0) 1495 790623

www.solitec.co.uk
sales@solitec.co.uk

SCREW CONVEYORS

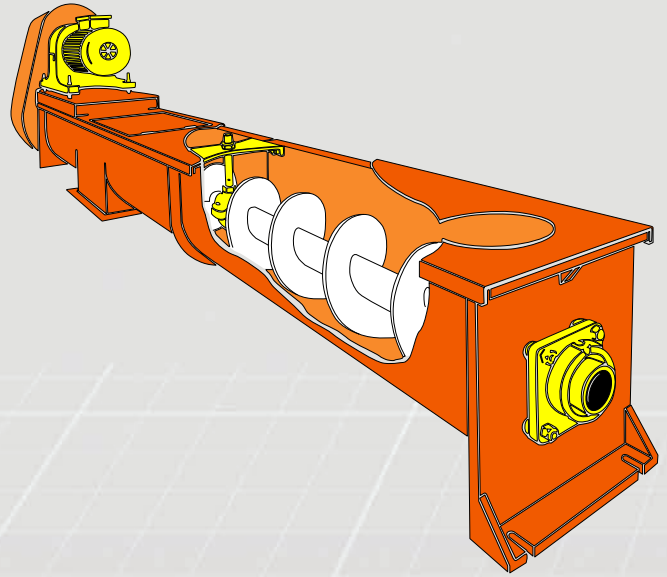
Screw Conveyors are one of the most versatile and extensively used devices for the conveyance of powder and granular materials in a great many industries. Solitec is a leader in the design, manufacture and installation of such conveyors to the solids handling market.

This Screw Conveyor is a progressive development, incorporating outstanding design features gained from years of industrial application knowledge. Normal Duty and Heavy Duty machines are available as standard in mild steel or stainless steel construction. All standard machines conform to HASAWA (Health & Safety At Work Act).

The following trough sizes are readily available:- 160, 200, 250, 315, 355 and 400mm.

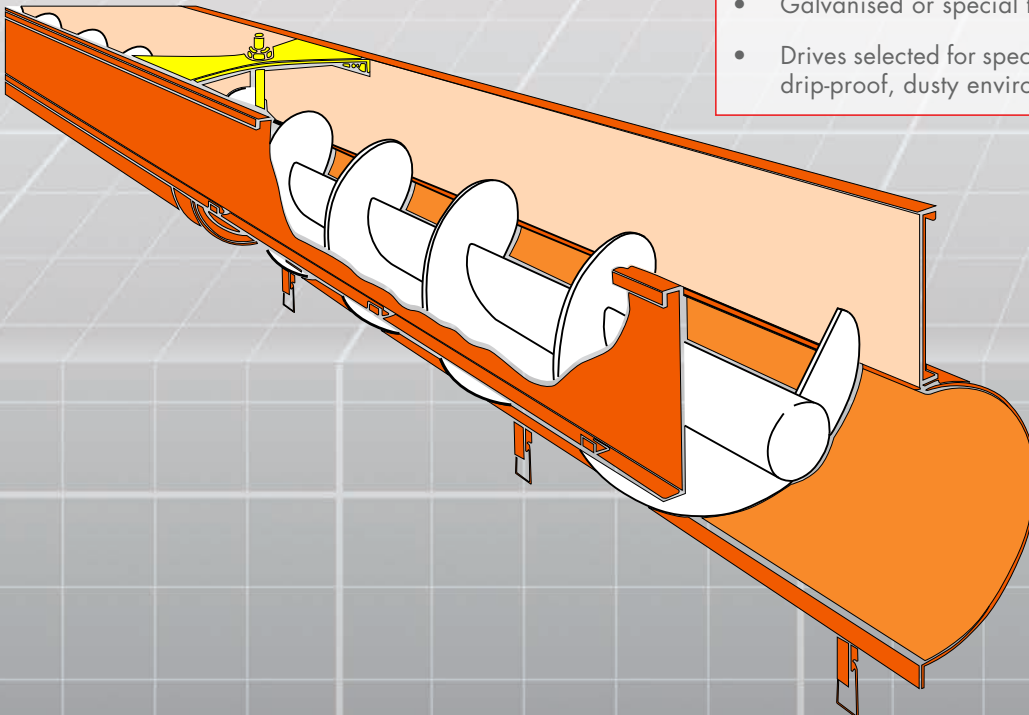
TROUGHS

- Standard Diameters of 160, 200, 250, 315 and 400mm.
- Other sizes are available for quotation as specials.
- Choice of Normal Duty (3mm) and Heavy Duty (5mm) casings.
- Trough lengths tailored to individual requirements (standard lengths 2m and 3m)
- Top covers are bolted as standard.
- Safety flap at discharge end fitted with micro switch for overflow indication.
- Circular casings recommended for special applications.



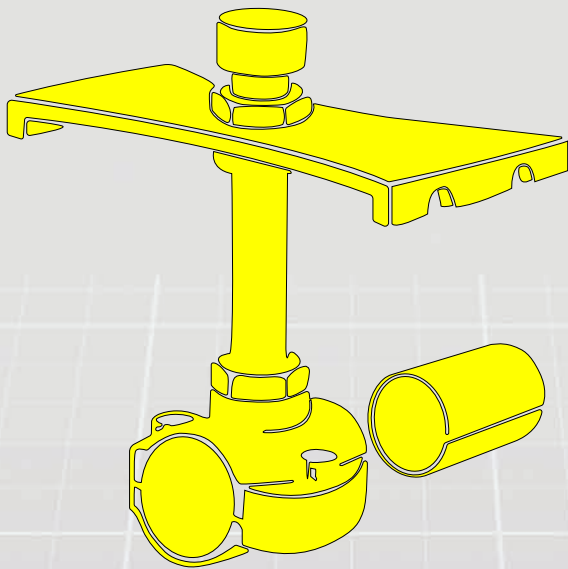
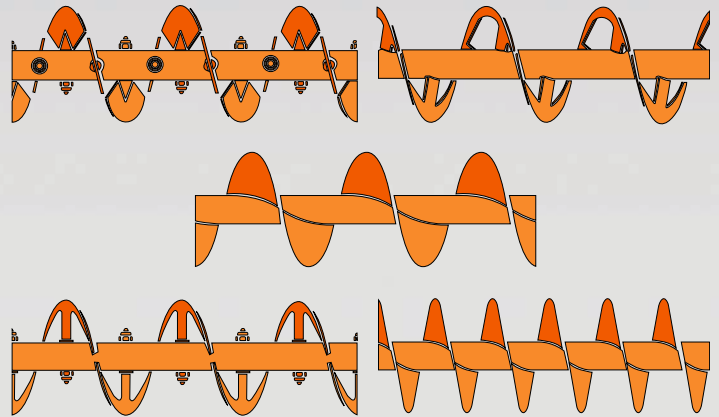
WEATHER PROOF

- Hipped and sealed trough covers offered for outdoor protection.
- Galvanised or special finishes available if required.
- Drives selected for specific conditions - e.g. tropicalised, drip-proof, dusty environment, etc.



FLIGHTS

- Normal duty blading continuously rolled from high quality grade steel.
- Available in mild or stainless steel.
- Continuous right hand worm on pipe supplied as standard.
- Half pitch, double start, left hand or continuously welded blading readily available.
- Blade profiles available for other applications.

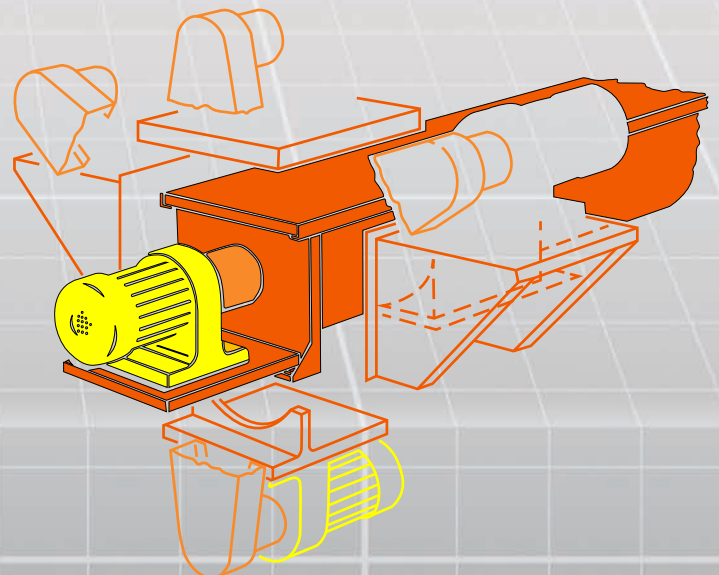


BEARINGS

- Machines fitted with End and Intermediate bearings.
- End bearings 'sealed-for-life' roller type with secondary dust seals.
- Intermediate bearings fitted with precision die cast housings.
- Inserts available in ferrobestos, phosphor bronze, PTFE or cast iron.
- Split Intermediate bearings enable replacement of inserts while screw is in position.

DRIVES

- Fixed or Variable speed drives offered.
- Geared motor via chain and sprocket is standard.
- Directly coupled drives available.
- Choice of AC or DC for most electrical supply specifications.
- Motors supplied to suit any IP index for protection against liquids, impact, fire risk, etc.
- All drives supplied with securely fixed safety guards.
- Drives orientated to suit site conditions. (Top mounted is standard)



SEALING

- Dust or pressure tight arrangements available.
- Wide choice of sealing materials, e.g. natural rubber, food quality rubber etc.
- Stuffing boxes and other bearing sealing arrangements can be quoted if required.

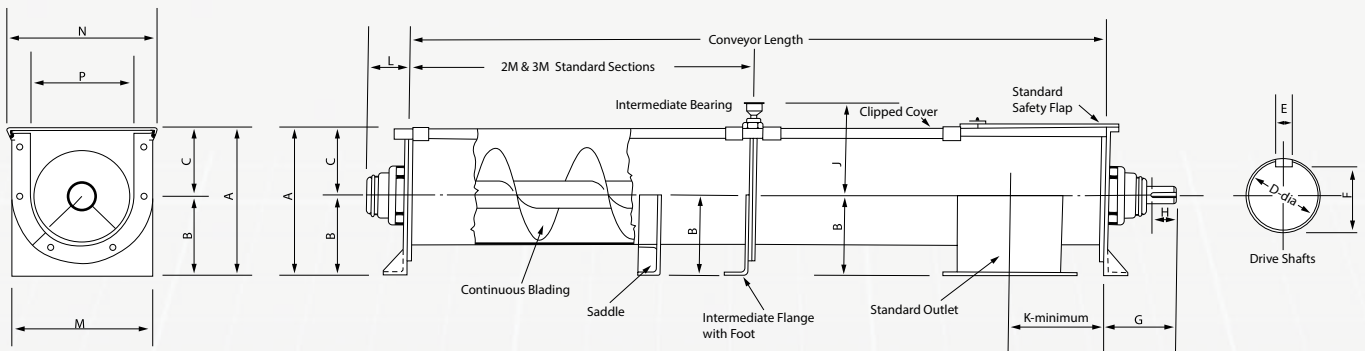
INLETS

- Shaped to suit clients' applications, with or without slides.
- Plain, flange or spigotted type offered.

OUTLETS

- May be fitted as required along length of trough, with or without slides.
- Choice of slides includes motorised, pneumatic, rack-and-pinion, hand operated.

STANDARD SCREW CONVEYOR DIMENSIONS



CONV SIZE	A	B	C	D	E	F	G	H	J	K	L	M	N	P
160	254	140	114	40	12	35	145	70	178	152	89	254	270	165
200	327	178	149	40	12	35	145	70	213	178	89	305	322	216
250	381	219	162	55	16	49	175	70	238	204	105	356	374	267
315	435	238	197	55	16	49	175	70	273	254	105	432	450	318
355	505	270	235	65	18	58	210	90	311	280	112	483	500	369
400	575	305	270	65	18	58	210	90	346	305	112	559	576	419

